

# SERIES OF

## USER MANUAL

PRESSION CONTROL: 2.2



# Contents

<b>1</b>	<b>Introduction</b>	<b>1</b>
1.1	General recommendations . . . . .	1
1.2	Transport and storage of the product . . . . .	2
1.3	Usage . . . . .	2
1.4	Limitations of use . . . . .	2
1.5	Maintenance . . . . .	3
1.6	Environmental information . . . . .	3
<b>2</b>	<b>General features</b>	<b>4</b>
2.1	Product Description . . . . .	4
2.2	Mechanical characteristics . . . . .	4
2.3	Electrical characteristics . . . . .	7
2.4	Commercial coding . . . . .	8
<b>3</b>	<b>Control structure</b>	<b>9</b>
3.1	General structure . . . . .	9
3.2	Setpoint . . . . .	9
3.3	Feedback . . . . .	10
3.4	PID . . . . .	10
3.5	Actuator . . . . .	11
<b>4</b>	<b>Commissioning</b>	<b>12</b>
4.1	Electrical connections . . . . .	12
4.2	Mechanical connections . . . . .	14
4.3	Maximum operating pressure . . . . .	16
4.4	Pressure control . . . . .	16
<b>5</b>	<b>Command signal</b>	<b>18</b>
5.1	Analogic . . . . .	18
5.2	CANopen . . . . .	18
5.2.1	PDO . . . . .	19
5.2.2	SDO . . . . .	19
5.2.3	PEERS . . . . .	19
5.3	IO-Link . . . . .	20
5.4	RS485 . . . . .	23
5.5	RS232 e TTL . . . . .	24
<b>6</b>	<b>Configuration and monitoring</b>	<b>26</b>
6.1	UVIX Software . . . . .	26
6.2	Device configuration . . . . .	26
6.2.1	Internal Communication . . . . .	26
6.2.2	Analog . . . . .	27

---

6.2.3	Flow calculation . . . . .	28
6.2.4	PID . . . . .	28
6.2.5	Ramp . . . . .	29
6.3	UVIX fast mode . . . . .	29
6.4	Diagnostic . . . . .	30
6.5	Firmware Update . . . . .	30
6.6	MQTT Variables IDs . . . . .	30

# Introduction

## 1.1 General recommendations

The recommendations regarding safe use in this document should be observed at all times.

- Some hazards can only be associated with the product after it has been installed on the machine/equipment. It is the task of the final user to identify these hazards and reduce the associated risks accordingly.
- For information regarding component reliability, contact Camozzi.
- Before proceeding with use of the product, carefully read all information in this document.
- Keep this document in a safe place and close at hand for the whole of the product life cycle.
- Pass this document on to any subsequent holder or user.
- The instructions in this manual must be observed together with the instructions and additional information regarding the product in this manual, available from the following reference links:
  - Web site [www.camozzi.com](http://www.camozzi.com).
  - Camozzi general catalogue.
  - Technical assistance service.
- Assembly and start-up operations must be performed exclusively by qualified and authorised personnel on the basis of these instructions.
- It is the responsibility of the system/machine designer to ensure the correct selection of the most suitable pneumatic component according to the intended application.
- The use of appropriate personal protection is recommended to minimise the risk of injury.
- For all situations not contemplated in this manual and in situations in which there is the risk of potential damage to objects, or injury to persons or animals, contact Camozzi for advice.
- Never make unauthorised modifications to the product. In this case, any damage or injury to objects, persons or animals will be the responsibility of the user.

## Chapter 1 Introduction

---

- All relevant product safety standards must be observed at all times.
- Never intervene on the machine/system before verifying that all working conditions are safe.
- Before installation and maintenance, ensure that the specific envisaged safety locks are active, and then disconnect the power supply (if necessary) and system pressure supply, discharging all residual compressed air from the circuit and deactivating residual energy stored in springs, condensers, recipients and gravity.
- After installation or maintenance, reconnect the system's pressure and power supply (where necessary) and check the proper operation and tightening of the product. In case of leaks or malfunctioning, the product must not be put into operation.
- Avoid covering the equipment with paint or other substances that may reduce heat dissipation.

### 1.2 Transport and storage of the product

- Adopt all measures possible to avoid accidental damage to the product during transport, and when available use the original packaging.
- Observe the specified storage temperature range of  $-10 \div 50$  °C.

### 1.3 Usage

- Ensure that the voltage of the network and that all operating conditions remain within the admissible values.
- The product should only be put into operation if all of the Camozzi defined specifications and criteria are met. If they are not met, the product should only be put into operation after receiving approval from Camozzi.
- Observe the specifications on the identification data plate.

### 1.4 Limitations of use

- Never exceed the technical specifications stated in Chapter 2 "General characteristics and conditions of use" and in the Camozzi general catalogue.

## Chapter 1 Introduction

---

- Do not install the product in environments where the air itself may cause hazards.
- With the exception of specific intended uses, do not use the product in environments where direct contact with corrosive gases, chemicals, salt water, water or steam may occur.

### 1.5 Maintenance

- Incorrectly performed maintenance operations can compromise the correct functioning of the product and may lead to injuries of surrounding persons.
- Check all conditions to prevent the sudden release of parts and disconnect the power supply to enable the discharge of residual pressure from the system before intervening.
- Check whether it is possible to have the product serviced at a technical assistance center.
- Never disassemble units when energised.
- Isolate the product electrically before starting with maintenance.
- Always remove all accessories before starting with maintenance.
- Always wear the correct safety equipment required by local authorities and according to legislative regulations in force.
- In the event of maintenance or replacement of worn parts, only use original Camozzi kits and ensure that operations are only performed by specialised and authorised personnel. Otherwise product approval will become invalid.

### 1.6 Environmental information

- At the end of the product's life cycle, separate the relative materials to enable recycling.
- Observe all current standards in the country of use governing waste disposal.
- The product and relative parts all comply with the ROHS and REACH standards.

# General features

## 2.1 Product Description

The Open Frame device is a modular and configurable proportional regulator capable of making pressure regulation.

In its simplest configuration, the device consists of a single module called a head module, which allows you to create 2-way versions (device on the left in figure 2.1).

To make the 3-way versions (right device in figure 2.1), the above module is connected to a second type of module called expansion module; the device thus composed is also used to make the 2-way high-flow versions.

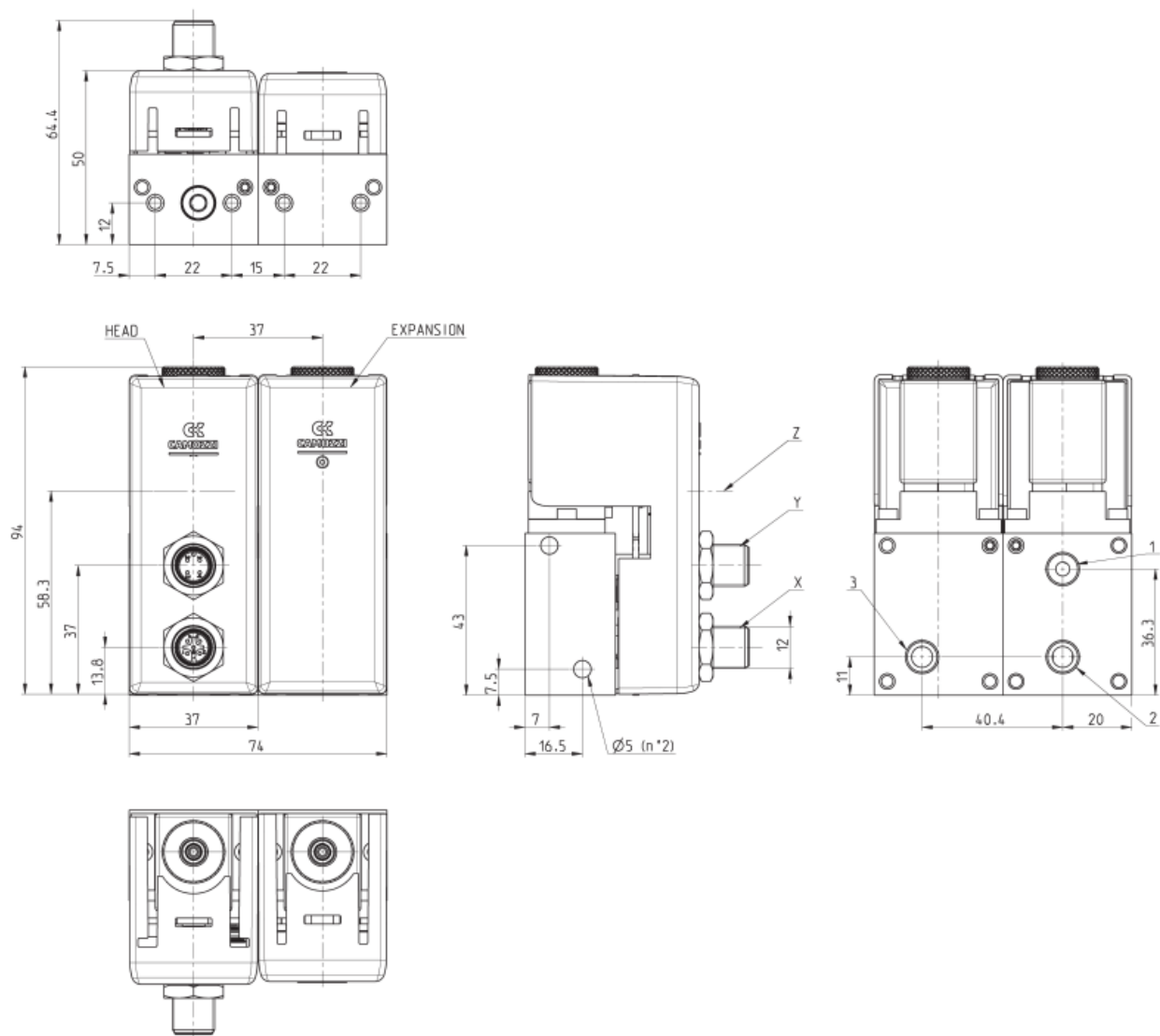


Figure 2.1: 2-way version on the left and 3-way version at right

## 2.2 Mechanical characteristics

Below are some representative drawings for the electrical and pneumatic parts. In particular, we can see the air inlet (1), the use (2) and the outlet (3).

## Chapter 2 General features



## Chapter 2 General features

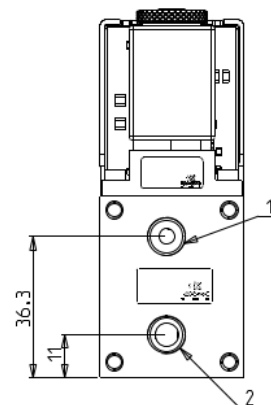
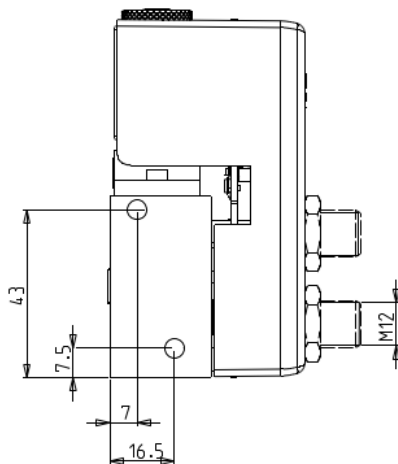
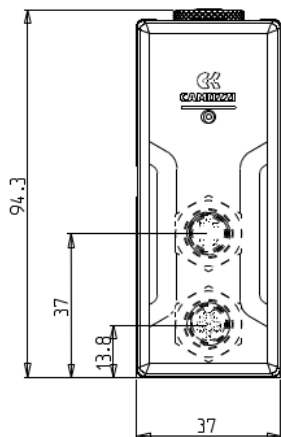
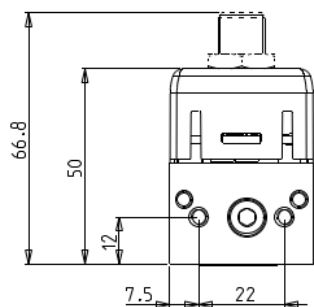


Table 2.1: Mechanical characteristics

<b>X</b>	<b>Y</b>	<b>Z</b>	<b>A</b>	<b>B</b>	<b>C</b>	<b>M4</b>
M12 5-Pin (Male)	M12 5-Pin (Male)	Mirco USB	G1/8	G1/8	G1/8	M4 thread

## 2.3 Electrical characteristics

Feature	Description	Notes
Supply voltage	24V $\pm$ 5% 12V $\pm$ 5%	
Current absorbed	0.3A CANopen IO-Link	max. per master module CiA301 Port class B
Command signal	Analogico 0-10V Analogico 4-20mA RS232 RS485 TTL	Resistenza d'ingresso 85k $\Omega$ Resistenza d'ingresso 500 $\Omega$
Analog output	0-10V	max. load current 20 mA
PID time	1ms	Elapsed time between two PID calculations

## 2.4 Commercial coding

OF - 0 P 1 1 - L L W 2 - D - A - 04 - OX1

<b>OF</b>	SERIES: Open Frame
<b>0</b>	ELECTRICAL INTERFACE: 0 = 0 ÷ 10V analog / 24V supply 1 = CANopen / 24 V supply 2 = IOLink -> CAN / 24V supply Portclass B compatible 8 = 4 ÷ 20mA analog / 24V supply 9 = no header / 24V 4 = 0 ÷ 10V analog / 12V supply 5 = CANopen / 12V supply 7 = 4 ÷ 20mA analog / 12V supply A = no header/ 12V
<b>P</b>	CONTROL FUNCTION: A = Open Loop (flow 2-way ) Master B = Open loop (flow 3-way ) Master & Slave Q = Flow 2- way closed loop Master C = Flow 3 way closed loop Master & Slave H = high flow 2-way pressure control (parallel) Master & Slave J = high flow 2 way flow control with booster (parallel) Master & Slave N = pressure 2-way closed loop P = pressure 3-way closed loop Master & Slave W = position Controller single ended function Master & Slave Z = position Controller double ended function Master & Slave
<b>1</b>	SIZE: 1 = size 37 mm
<b>1</b>	PNEUMATIC PORT: 1 = G1/8
<b>L</b>	MASTER VALVE SIZE: F = Ø 1 mm H = Ø 1,2 mm L = Ø 1,6 mm N = Ø 2 mm Q = Ø 2,4 mm
<b>L</b>	SLAVE VALVE SIZE: F = Ø 1 mm H = Ø 1,2 mm L = Ø 1,6 mm N = Ø 2 mm Q = Ø 2,4 mm
<b>W</b>	SEALS MATERIAL: W = FKM
<b>2</b>	BODY MATERIAL: 2 = brass/aluminum
<b>D</b>	MAX. PRESSURE ( RELATIVE SENSOR ) ONLY FOR MASTERS: B = 0,2 bar D = 2 bar E = 7bar F = 10 bar G = +/- 1 bar
<b>A</b>	MAX. PRESSURE (DIFFERENTIAL SENSOR) ONLY FOR MASTER: 0 = no dp sensor B = 200 mbar C = 1 bar
<b>04</b>	NOZZLE SIZE FOR MASTER ONLY: 00 = no nozzle 12 = 1.2mm 14 = 1.4mm 16 = 1.6mm 18 = 1.8mm 20 = 2.0mm 23 = 2.3mm 28 = 2.8mm
<b>OX1</b>	CERTIFICATION: OX1

Figure 2.2: Open Frame commercial coding

# Control structure

## 3.1 General structure

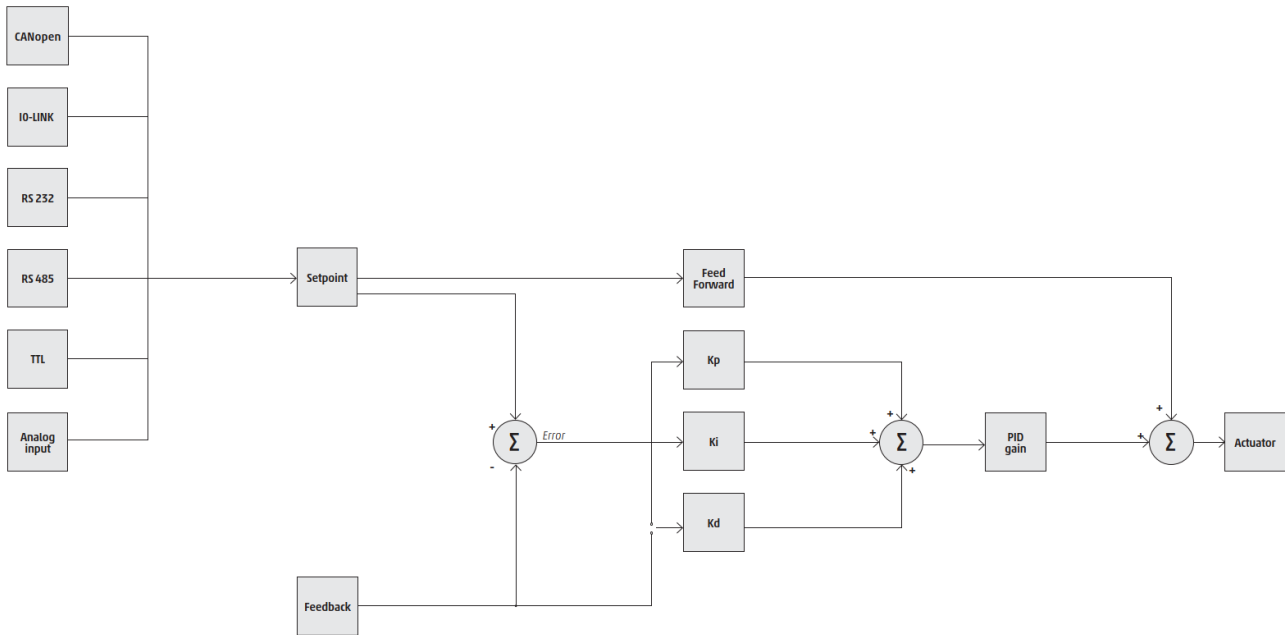


Figure 3.1: General structure

In figure 3.1 we can observe the general control structure of the Open Frame, from the reception of the setpoint and feedback essential to the PID to evaluate the action to perform to the actuation of the latter.

The Open Frame is a configurable device that allows this structure to be adapted to the application of the customer, thereby obtaining the most efficient solution. For more information on the configuration, see- chapter 6.

## 3.2 Setpoint

The setpoint, or command signal, is the value that the pressure must reach expressed as a percentage in the regulating range.

In figure 3.2 we can see the various electronic interfaces through which the device can receive the setpoint, depending on the one used; various configuration parameters are available which might be necessary to set during commissioning (for more details, see chapter 5).

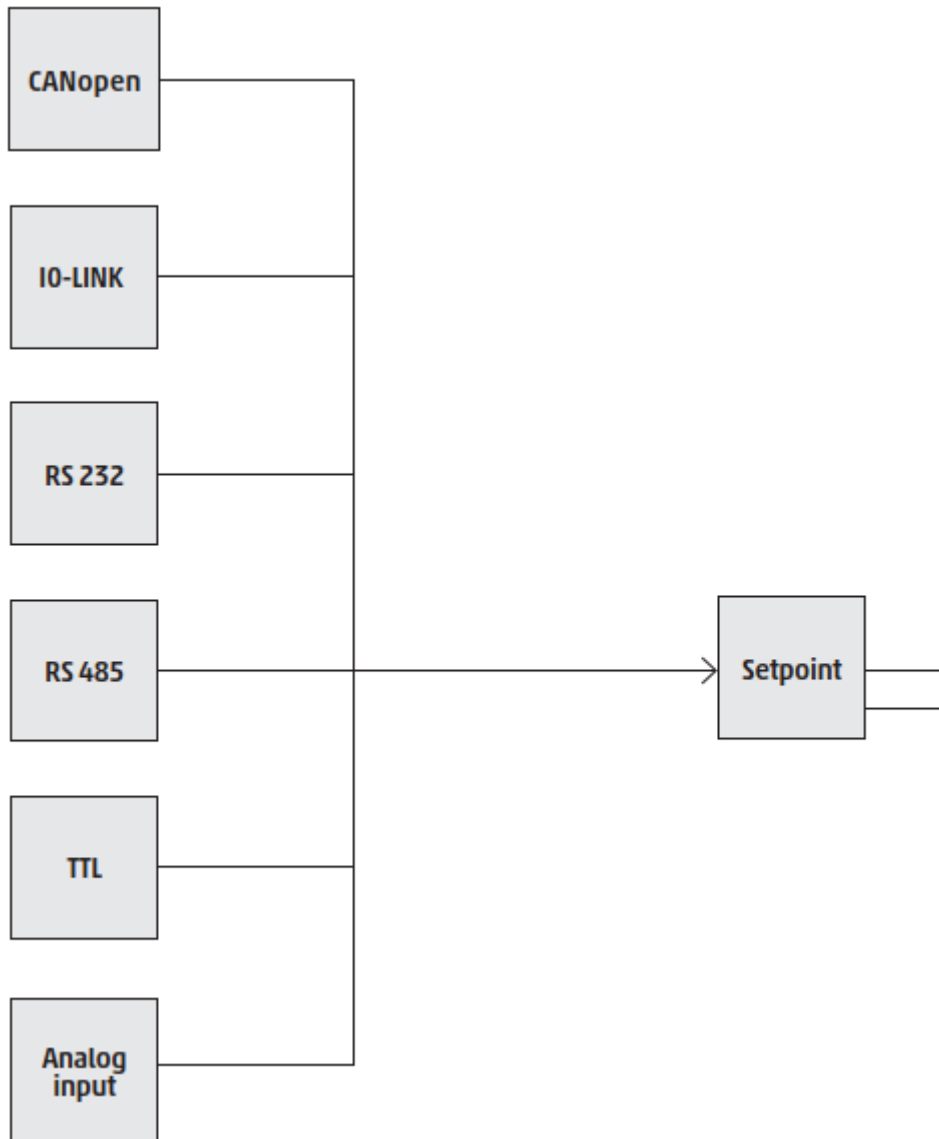


Figure 3.2: Control structure for setpoint acquisition

### 3.3 Feedback

The feedback is the actual value of the pressure measured by the sensor on the master module.

### 3.4 PID

The PID is the heart of the control which defines the behaviour of the device; see figure 3.3.

The PID consists of the following elements:

- Kp: proportional component of the PID.
- Ki: integral component of the PID.

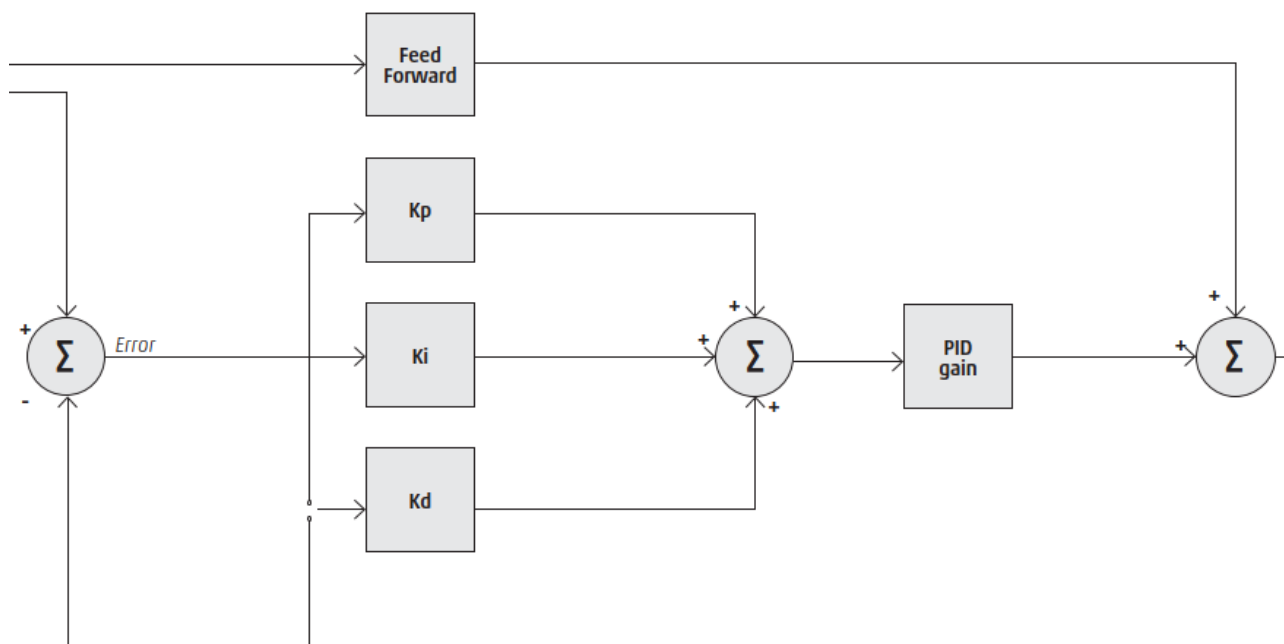


Figure 3.3: PID

- Kd: derivative component of the PID.
- PID gain: additional gain applied to all three components.
- Feed forward: is an add-on to the base PID, unaffected by feedback and is used to increase the responsiveness of the control.


### 3.5 Actuator


The actuator is the final part of the control structure that applies the action calculated from the PID generating the correct PWM, or the two PWMs in the case of the 3-way version, to supply to the valves.

# Commissioning



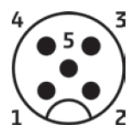
## 4.1 Electrical connections




The Open Frame master module has two connectors, the lower one is always an M12 5-pin, A-code while the upper one, depending on the versions, could be identical to the first or an M12 5-pin, B-code. Depending on the version used, only a few connections are required.


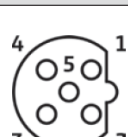
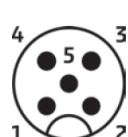
Analog	Connector	Pin	Function	Description
	<b>A - BUS</b>	1		Not used
		2		
		3		
		4		
		5		
	<b>B - Power</b>	1	P24	Power Supply
		2	OUT	Analog output
		3	GND	Ground
		4	IN	Analog input
		5	EARTH	Earth connection

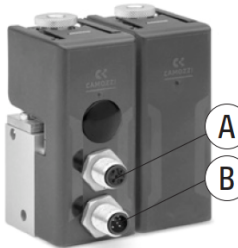
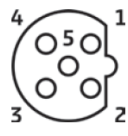

CANopen	Connector	Pin	Function	Description
	<b>A - BUS</b>	1	SHIELD	Shield connection
		2		
		3	GND	Ground
		4	CAN_H	CAN-H bus line
		5	CAN_L	CAN-L bus line
	<b>B - Power</b>	1	P24	Power Supply
		2	OUT	Analog output
		3	GND	Ground
		4		
		5	EARTH	Earth connection

## Chapter 4 Commissioning

IO-Link	Connector	Pin	Function	Description
	 <b>A - BUS</b>	1	L+	Power supply referred to L-
		2	P24	Additional power supply referred to N24
		3	L-	Power supply referred to L+
		4	C/Q	IO-Link communication
		5	N24	Additional power supply referred to P24
	 <b>B - Power</b>	1		
		2	OUT	Analog output
		3	GND	Ground
		4	IN	Analog input
		5	EARTH	Earth connection

RS232	Connector	Pin	Function	Description
	 <b>A - BUS</b>	1	CTS	Clear to send
		2	TX	Transmit Data
		3	GND	Ground
		4	RX	Receive Data
		5	RTS	Request to send
	 <b>B - Power</b>	1	P24	Power Supply
		2	OUT	Analog output
		3	GND	Ground
		4		
		5	EARTH	Earth connection

RS485	Connector	Pin	Function	Description
	 <b>A - BUS</b>	1		
		2	D-	Differential negative line
		3	GND	Ground
		4		
		5	D+	Differential positive line
	 <b>B - Power</b>	1	P24	Power Supply
		2	OUT	Analog output
		3	GND	Ground
		4		
		5	EARTH	Earth connection

TTL	Connector	Pin	Function	Description
	 <p>A - BUS</p>	1		
		2	TX	Transmit Data
		3	GND	Ground
		4	RX	Receive Data
		5		
	 <p>B - Power</p>	1	P24	Power Supply
		2	OUT	Analog output
		3	GND	Ground
		4		
		5	EARTH	Earth connection

## 4.2 Mechanical connections

Connection of the regulator to the wall with optional bracket cod. OF-ST.

To connect two or more modules together in series, proceed as follows:

- Attach the L-bracket with screws to the underside of the Open Frame body.
- Attach the L-bracket with screws to wall or DIN brackets.

**ATTENTION:** Make sure that the bracket is completely resting on the wall.

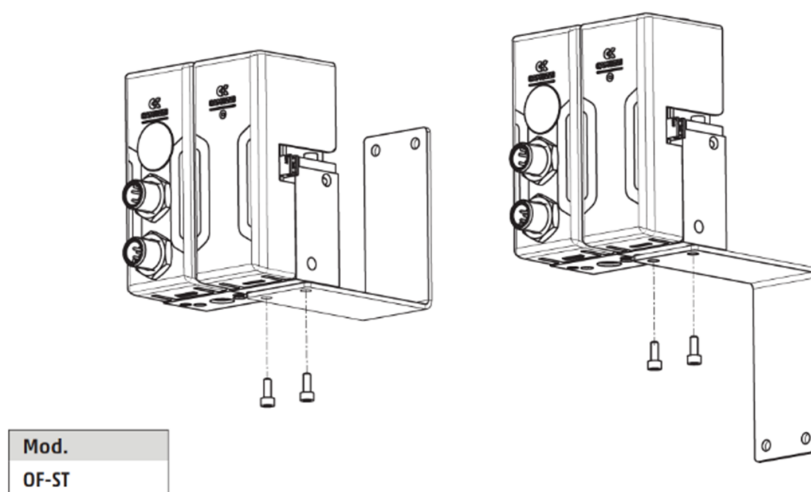


Figure 4.1: Montaggio staffetta

Mounting bracket for DIN rail Open Frame.

DIN EN 50022 (7.5 mm x 35 mm - thickness 1).

The supply includes a mounting bracket and M4x6 UNI 5931 screw.

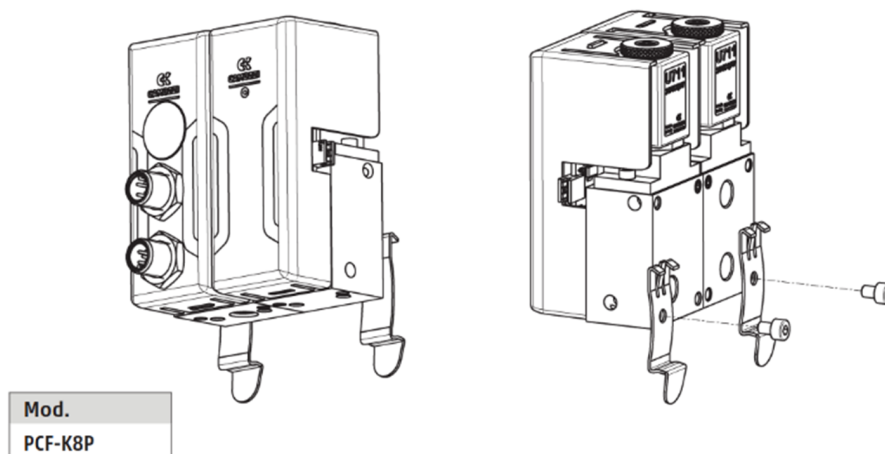


Figure 4.2: Montaggio barra DIN

Connection of manifold regulators with relative OF-M-PIN Kit.

To connect two or more modules together in series, proceed as follows:

1. Insert the pins (1) in the seats in the regulator body.
2. Insert the plastic connector paying attention to the direction.
3. Move the two modules laterally until they touch.
4. Screw in the four grub screws (2) until locked.

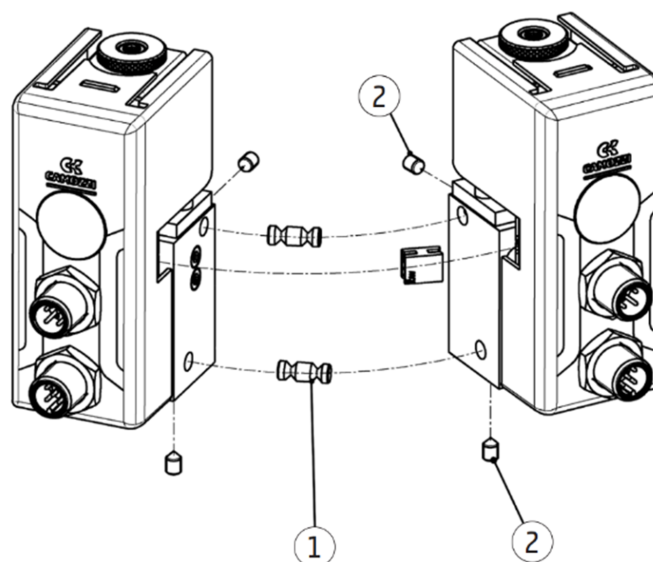


Figure 4.3: Montaggio manifold

### 4.3 Maximum operating pressure

The maximum operating pressure is the lower between the maximum pressure of the proportional valves and the full scale of the relative pressure sensor. To find out which components are present, see commercial code (fig 2.2).

The following table shows the maximum pressures according to the mounted valve (table 4.1).

Table 4.1: Maximum valves pressure

Commercial code	Nozzle diameter [mm]	Maximum valve pressure [bar]
F	1	10
H	1.2	8
L	1.6	6
N	2	5
Q	2.4	4

The following table however shows the full scale of the relative pressure sensors (table 4.2), if any.

Table 4.2: Sensors full scale

Commercial coding	Sensor full scale [bar]
B	0.2
D	2
E	7
F	10
G	±1

Example: OF-0P11-LHW2-E-0-00-OX1.

In this example we have an Open Frame with 3-way pressure control, and the elements to be analysed are:

- Master valve 'L': maximum pressure 6 bar.
- Slave valve 'H': maximum pressure 8 bar.
- Relative sensor 'E': full scale 7 bar.

The operating pressure is the lowest of the three and in this example it is 6 bar.

### 4.4 Pressure control

During pressure control, the Open Frame interprets the setpoint received as a percentage within the

## Chapter 4 Commissioning

---

range of regulation.

For proper operation, it is therefore fundamental to accurately derive the maximum operating pressure (chapter 4.3).

# Command signal

## 5.1 Analogic

In the case of analog command, the setpoint is received with a 0-10V or 4-20mA signal, where 0V/4mA corresponds to a setpoint of 0% and 10V/20mA corresponds to a setpoint of 100%.

The setpoint is read from the device via an ADC (analog-digital converter) which converts the analog signal in the range 0-4095; depending on the module used to provide the analog command and the machine where it is installed, it may be necessary to change the calibration values (see chapter 6).

## 5.2 CANopen

In the case of CANopen control, the device accepts a setpoint within the range -10000 and 10000, which corresponds to the range -100.00% and 100.00%.

If the device is the last node of the network, you must enable the termination resistor of the communication line by using the switch on the head module under the plastic cover (see figure 5.1).

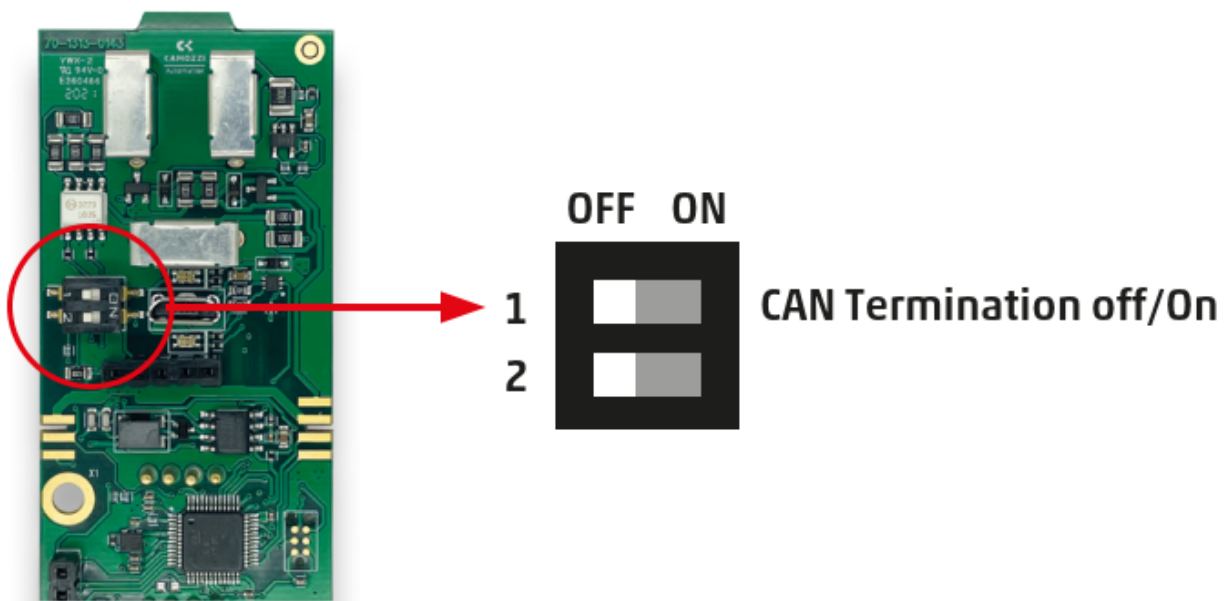


Figure 5.1: Switch to enable the CANopen termination resistor

For proper operation, please note that it is also necessary to correctly import the .eds file available on the Camozzi website and set the Node-ID and Baud Rate of the CANopen node consistently.

## Chapter 5 Command signal

### 5.2.1 PDO

Once the .eds file has been imported, the objects will be mapped automatically within the PDOs in the table below.

PDO	Nome	Dimensione[byte]	Descrizione
RPD01	Setpoint	2	Command signal
	Free variable 1	2	Free variable for special applications
	Free variable 2	2	Free variable for special applications
	Free variable 3	2	Free variable for special applications
RPD04	Reserved		Reserved for internal use
TPD01	Feedback	2	Current value of the quantity adjusted
	Actuation value	2	Output value from the PID
	Errors	2	Device diagnostics
	Setpoint received	2	Setpoint received via RPD01

### 5.2.2 SDO

The table below shows the device-specific parameters accessible via SDO.

Index	SubIndex	Descrizione
2FF2h	01h	Analog output
	02h	Relative pressure sensor reading
	03h	Differential pressure sensor reading
	04h	Calculated flow
2FF3h	01h	Master valve actuation value
	02h	Slave valve actuation value
2FF4h	01h	Proportional constant Kp
	02h	Integral constant Ki
	03h	Derivative constant Kd
	04h	Calculated value of the PID
	05h	PID value after gain
	06h	Feedback
	07h	Output value from Feed forward
	08h	Control deviation
2FF6h	01h	First ramp output value
	02h	Second ramp output value

### 5.2.3 PEERs

A concept related to CANopen communication that deserves further study is that of PEERs. If necessary, the OpenFrame can use the internal CANopen line to allow several head modules, from

two to a maximum of four, to communicate with each other.

One example is the case of the double acting positioner where, for proper operation the head modules must exchange setpoint and feedback."

For the correct operation of this internal communication, similar to a CANopen network, we have the following requirements:

- Network termination: the nodes at the ends of the network must have the terminating resistor enabled (see figure 5.1), in the example of the double acting positioner, the network consists of only two nodes. Therefore it must be enabled on both.
- Baud rate: the baud rate must be the same on all modules.
- CANopen state machine: as there is no CANopen master, you must set on each module that your state machine goes into the operational state automatically (for more details, see 6).
- Node ID: Each node on the network must have its own univocal Node ID.

After all the network nodes are configured properly, it is necessary to inform each of said nodes of the other nodes with which it must communicate; the PEERs are used for this purpose where the first one must be the Node-ID itself whereas from the second one (up to a maximum of four) must be informed of the other Node-IDs in the internal network and with which it must communicate.

Going back to the positioner example and assuming that the first node has Node-ID 1 and the second Node-ID 2, the PEERs of the first module will be PEER 1 = 1 and PEER 2 = 2 while the PEERs of the second module will be PEER 1 = 2 and PEER 2 = 1.

The internal network is not separated from any external network, assuming you have a positioner with CANopen electrical interface and which occupies Node-ID 1 and 2. It will also occupy both nodes in the CANopen network in which it will be inserted.

### 5.3 IO-Link

The Open Frame in IO-Link cyclically exchanges 8 bytes of input and 8 bytes of output, as shown in Table 5.1.

Table 5.1: Cyclic Data

<b>Process Data</b>	<b>Name</b>	<b>Size [bytes]</b>	<b>Description</b>
PDIN	Setpoint	2	Setpoint
	Free variable 1	2	Free variable for special applications
	Free variable 2	2	Free variable for special applications
	Free variable 3	2	Free variable for special applications
PDOUT	Feedback	2	Current value of the controlled variable
	Analog input	2	Value of the analog input
	Relative sensor	2	Reading of the relative pressure sensor
	Free variable 9	2	Free variable for special applications

Acyclically available parameters are listed in Table 5.2.

Table 5.2: IO-Link Parameters

<b>Name</b>	<b>Index</b>	<b>Byte</b>	<b>Range</b>	<b>Description</b>
Input lower calibration	0x40/64	2	0-4095	Sets the calibration of the analog input to 10% of full scale. Default is 410 for voltage, 1150 for current
Input upper calibration	0x41/65	2	0-4095	Sets the calibration of the analog input to 90% of full scale. Default is 3685 for voltage, 3750 for current
Input mode	0x42/66	1	Voltage Current	Sets the mode of the analog input
Input filter	0x43/67	2	0-10000	Sets the filter on the analog input, 0 to disable
Analog output source	0x44/68	1	1=Analog input 2=Relative pressure sensor 3=Differential pressure sensor 4=Flow 15=Control loop value after amplification, feedforward, and filtering	Sets the source of the analog feedback

Continued on next page

Table 5.2 – Continued from previous page

Name	Index	Byte	Range	Description
Analog output range	0x45/69	1	0=0...10000 1=-10000...10000 2=0...4095	Set the range of analog output
Output lower calibration	0x46/70	2	0-4095	Set calibration to 10% of full scale, default 410
Output upper calibration	0x47/71	2	0-4095	Set calibration to 90% of full scale, default 3685
Feedback source	0x48/72	1	2=Relative pressure sensor 4=Flow 5=Filtered analog input	Set feedback source
Mixer Media	0x49/73	1	0=Air 1=O2 2=N2O 3=N2 4=CO2 5=Argon	Set the gas used
Maximum flow	0x4A/74	4	0-500000	Maximum flow in ml/min
Control mode	0x4B/75	1	3=Bidirectional volumetric 4=Bidirectional mass 5=Positive mass	Flow control mode
Relative sensor offset	0x4C/76	4	-999999...999999	Set sensor offset to desired value, 0 to take current value
Differential sensor offset	0x4D/77	4	-999999...999999	Set sensor offset to desired value, 0 to take current value
Flow media temperature	0x4E/78	2	0...10000	Set gas temperature in °C, Temperature = Value / 100 (1500 = 15°C)
Control loop enable	0x4F/79	1	0=Disabled 1=Enabled	Enable control loop
KP	0x50/80	4	0...99999	Proportional constant, 1000 = factor 1
KI	0x51/81	4	0...99999	Integral constant, 1000 = 0.01/ms

Continued on next page

Table 5.2 – Continued from previous page

Name	Index	Byte	Range	Description
KD	0x52/82	4	0...99999	Derivative constant, 100 ms/age
Feed forward	0x53/83	2	-99999...99999	Feed forward, 1000 = factor 1
Overall gain	0x54/84	2	-10000...10000	Control loop gain, 1000 = factor 1
KP 2	0x55/85	4	0...99999	Proportional constant for second loop, 1000 = factor 1
KI 2	0x56/86	4	0...99999	Integral constant for second loop, 1000 = 0.01/ms
KD 2	0x57/87	4	0...99999	Derivative constant for second loop, 100 ms/age
Feed forward 2	0x58/88	2	-99999...99999	Feed forward for second loop, 1000 = factor 1
Overall gain 2	0x59/89	2	-10000...10000	Control loop gain for second loop, 1000 = factor 1

On the Camozzi website it's the IODD file for the download.

## 5.4 RS485

In the event of RS485 communication, the baud rate is set by default at 38400 Bd and the message to be sent is composed as follows:

Data	Size[byte]
Address	1
Command	1
Data	2
Checksum	1

The address is not used in the case of point-to-point implementation.

The command is composed as follows:

- Bit 7: 0 to indicate a request.
- Bits 6 e 5: 00 to indicate it is a setpoint.

## Chapter 5 Command signal

- Bits 4: 0 to indicate that it is a process datum.
- Bits 3 to 0: number of bytes following the command including the checksum.

If you want to send a new setpoint, this value will be 3.

The Datum is a value between 0 and 10000 which corresponds to the range 0% to 100.00%; it must be transformed into a hexadecimal and the low part (LSB) must be sent first and then the high part (MSB). For example, if you want to send a target of 50%, the value will be 5000, converted into hexadecimal 1388h and when inverting the parts it will be 8813h.

The checksum is calculated with the formula:

$$(Command + LSB + MSB) \bmod 256$$

Resuming the previous example with a target of 50% we obtain:

$$\begin{aligned}
 Comando + LSB + MSB &= 158 = 0x9E \\
 \frac{0x9E}{0x100(256)} &= 0 \\
 0x9E - 0 &= 0x9E
 \end{aligned}$$

So the checksum is 0x9E.

The complete message will be: 0x3 0x88 0x13 0x9E.

The reply to the message is composed as follows:

Dato	Dimensione[byte]	Descrizione
0x89	1	Fixed value
Feedback	2	Feedback value
Analog input	2	Value of analog input
Relative sensor	2	Pressure read by the relative pressure sensor
Free variable 9	2	Free variable for special applications
Checksum	1	Checksum of response message

### 5.5 RS232 e TTL

The configurations for RS232 and TTL communications are:

Baud Rate	38400 Bd
Number of bits	8
Parity	none
Stop bit	1

The commands available are:

## Chapter 5 Command signal

---

- SSP xxxxx: sets the setpoint to xxxxx (value between 0 and 10000 where 0 corresponds to 0% and 10000 to 100.00%), if received correctly, the device replies with the message →A!
- SAI 1000: Activates automatic sending of feedback every second, the response is 'ADR xxxxx yyyyy zzzz' where xxxxx equals xxx.xx% expressed as a percentage of the full scale.
- SAI 0: Disables the automatic sending of feedback.

# Configuration and monitoring

## 6.1 UVIX Software

The proprietary Camozzi environment called UVIX allows the user to monitor and configure all new generation Camozzi devices (Camozi Smart Device) that support connection to it.

The Open Frame belongs to this category of devices and is able to connect to the UVIX via USB cable.

This system has been implemented with a web-based architecture so that you can access the information through a simple browser.

For further details on the UVIX interface, refer to the specific manual (<http://catalogue.camozzi.com/Downloads.aspx?cat=205>).

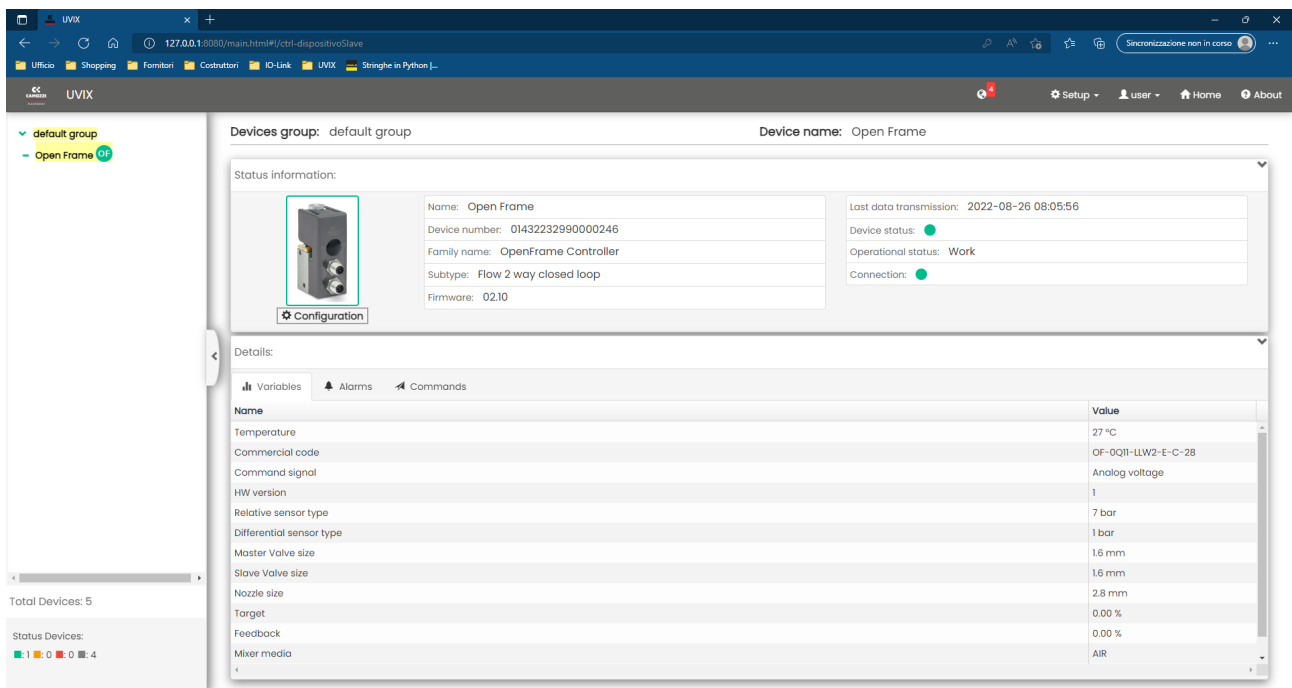


Figure 6.1: Home page of the UVIX interface

## 6.2 Device configuration

By clicking on the appropriate button, you can access the device configuration page (see figure 6.2), divided into the various menus where all the parameters can be modified.

### 6.2.1 Internal Communication

This menu contains the parameters for configuring internal communication.

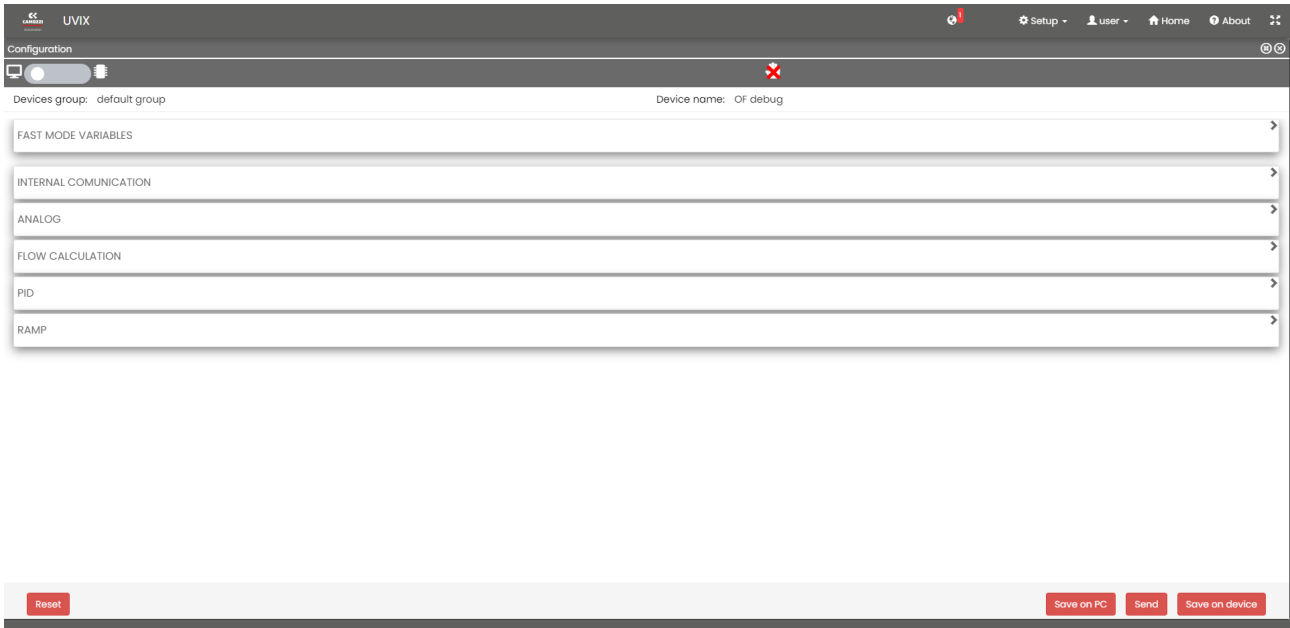


Figure 6.2: UVIX configuration page

Parameter	Range	Description
Node ID	0-127	Set the Node ID of the device
Set number of peers	0-4	Set the number of PEERs. Based on the number you entered, you can modify the parameters
Set Peer ID 1	0-127	Set the value of the first PEER
Set Peer ID 2	0-127	Set the value of the second PEER
Set Peer ID 3	0-127	Set the value of the third PEER
Set Peer ID 4	0-127	Set the value of the fourth PEER
State machine on bootup	Quiet bootup	Device does not send bootup message at startup
	OP state	Device sends bootup message at startup and automatically enters OP state
	Activate boot up message on selected node ID	Device sends bootup message and remains automatically enters OP state
Heartbeat	0-9999 ms	Set the heartbeat time

### 6.2.2 Analog

Dedicated menu for setting the analog input and output.

Parameter	Range	Description
Input mode	0-10V	Set the analog input live
	4-20mA	Set the analog input in current
Input lower calibration	0-4095	Calibration of the input at 10%
Input upper calibration	0-4095	Calibration of the input at 90%
Output lower calibration	0-4095	Output calibration at 10%
Output upper calibration	0-4095	Output calibration at 90%

### 6.2.3 Flow calculation

Dedicated menu for general device settings.

Parameter	Range	Description
Mixer media	Air	Set air as gas used
	O2	Set oxygen as gas used
	N2O	Set nitrous oxide as gas used
	N2	Set nitrogen as gas used
	CO2	Set carbon dioxide as gas used
	Argon	Set Argon as gas used
Flow media temperature	±100	Set temperature of the gas used

### 6.2.4 PID

Dedicated menu for setting the control loop.

Parameter	Range	Description
Kp	0-99999	The proportional constant value
Ki	0-99999	The integral constant value
Kd	0-99999	The derivative constant value
Differentiator mode	Off	Disable the derivative component value of the PID
	Error	Set the error as the source for the derivative component
	Feedback	Set the feedback as the source for the derivative component
Differentiator age	1-10	Set the number of samples that the derivative component must take into account
Feed forward value	0-10000	Set the feed forward value
Overall gain	0-10000	Set the additional gain value of the PID (PID gain)

### 6.2.5 Ramp

Dedicated menu for setting the ramp, additional internal function useful in some applications.

Parametro	Range	Descrizione
Source	Off Analog input	Disables generation of the ramp Set analog input as the ramp
Rise time	0-10000	Set the time in ms that the ramp takes to reach 100% of the source from 0%
Fall time	0-10000	Set the time in ms that the ramp takes to reach 0% of the source from 100%
Start preset value	±10000	Set the initial value of the ramp

### 6.3 UVIX fast mode

Through the fast mode it is possible to configure the device in real time because the frequency of transmission of the variables is higher than the normal ones.

Accessible via the configuration command, it appears similar to the other menus. The fast variables are listed on a table where each of them indicates the current value, the minimum value and the maximum value since when the display started.

To the right of the variables are the manual commands in case you want to provide the setpoint directly from the UVIX.

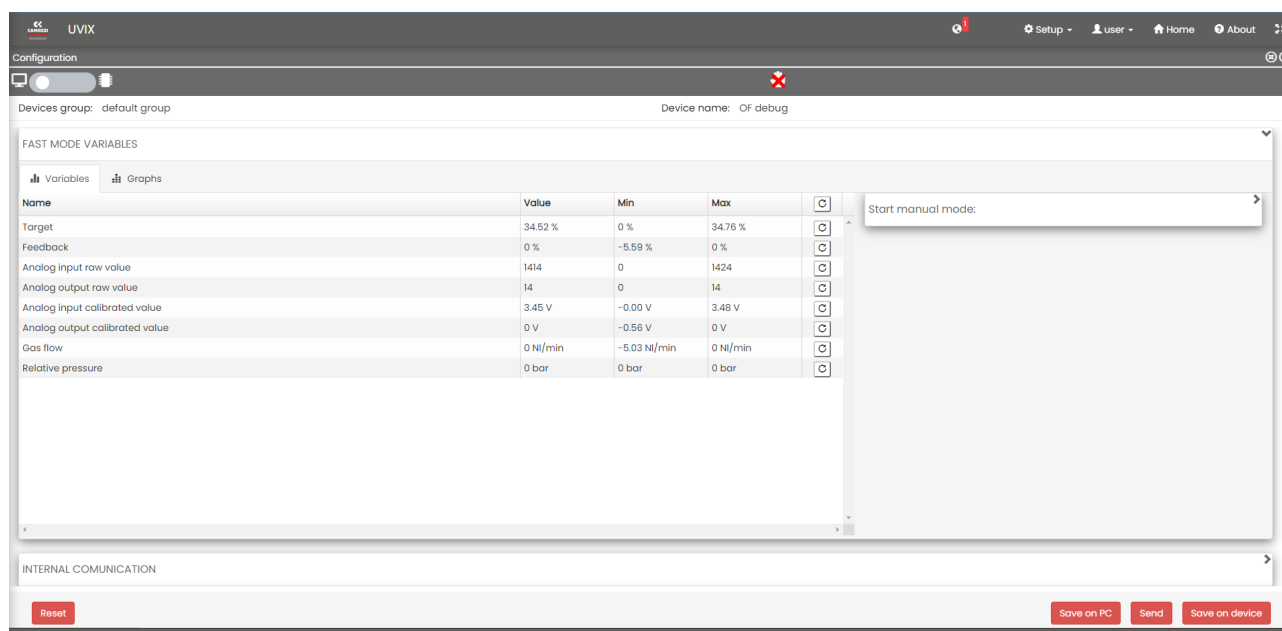


Figure 6.3: Fast Mode

### 6.4 Diagnostic

The Open Frame is capable of autonomously transmitting error messages if it reveals any anomalous events; these events are divided into two types:

- Error: Critical errors that do not allow the device to work properly.
- Warning: non-critical alarms that could hinder correct operation.

The following table lists all possible error messages.

Event	Type	Description
Overheating	Error	Temperature out of the expected limits (0-60 °C)
Setpoint not reached	Warning	Setpoint not reached
Wrong input analog signal	Warning	If the command signal is analog in current, that means its value is lower than 4mA
Wrong setpoint	Warning	Indicates that the received setpoint is out of range 0-100%
Relative sensor missing	Error	The relative pressure sensor assembled does not operate properly
Differential sensor missing	Error	The differential pressure sensor assembled does not operate properly

### 6.5 Firmware Update

Through the Camozzi Gateway USB, it is possible to update the device firmware to a newer version.

**⚠** Firmware files are not publicly available for download. They are provided directly by Camozzi technical support, who will assess whether an update is necessary for the specific case.

For further information, please contact Camozzi technical support.

### 6.6 MQTT Variables IDs

One of the features of the UVIX software is the ability to enable MQTT communication in order to transmit device variables to an external application, for more details please refer to the UVIX manual.

Table 6.1 lists the IDs of the variables transmitted by the Open Frame device.

Table 6.1: MQTT Variables IDs

<b>Variable</b>	<b>ID</b>	<b>Description</b>
Firmware version	1	Firmware version
Temperature	2	Temperature in °C
Commercial code	5	Commercial code
Hardware version	6	Hardware version
Relative sensor type	7	Mounted relative pressure sensor
Differential sensor type	8	Mounted differential pressure sensor
Head valve size	9	Nozzle diameter of the valve on the head module
Expansion valve size	10	Nozzle diameter of the valve on the expansion module
Nozzle size	11	Calibrated nozzle diameter
Target	12	Target in percentage, 5000 = 50.00%
Feedback	13	Feedback in percentage, 6500 = 65.00%
Mixer media	14	Gas used
Command signal	15	Type of command signal
Maximum flow	16	Maximum regulated flow



Automation

A Camozzi Group Company

[camozzi.com](http://camozzi.com)

## Contacts

**Camozzi Automation S.p.A.**

Società Unipersonale

REGISTERED OFFICE

Via R. Rubattino, 81

20134 Milano

Italy

OPERATIONAL HEADQUARTERS

Via Eritrea, 20/1

25126 Brescia

Italy

Tel. +39 030 37921

[marketing@camozzi.com](mailto:marketing@camozzi.com)

**Customer Service**

Tel. +39 030 3792790

[service@camozzi.com](mailto:service@camozzi.com)

**Export Department**

Tel. +39 030 3792253

[sales@camozzi.com](mailto:sales@camozzi.com)